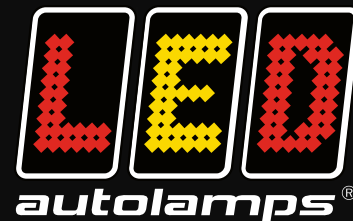


SEEKER HIGH PERFORMANCE LED DRIVING LAMPS



HEAVY DUTY

ECE R112
DRIVING BEAM

ECE R10

IP68



**SEEKER10
SEEKER10P**

£93.00

SPECIAL OFFERS

**SEEKER20
SEEKER20P**

£163.00



SEEKER10
202mm / Black



SEEKER10P
202mm / Platinum



SEEKER20P
360mm / Black



SEEKER20P
360mm / Platinum

- **ECE R112** Driving Beam Approved
- 12/24V Multivolt
- Specially designed optical system
- Flexible mounting options; **'L' Brackets**, **'U' Bracket** and **Base Feet** with every lamp
- C/W Deutsch connector and 'stripped end' accessory plug
- **Unbreakable** polycarbonate lens
- Available in Black and Platinum housings



Deutsch connector and 'stripped end' accessory



Choice of three mounting options as standard

SEEKER10

Black Housing



LED:	2 x 15W
Dimensions (mm):	202 x 102 x 86
Voltage:	12/24V Multivolt
Beam Type:	Driving
Ingress Protection:	IP68
Raw Lumens:	2000lm
Current Draw (13.8 / 28V):	1.48A / 0.7A
Housing:	Heavy-Duty Aluminium
Housing Colour:	Black Powder-Coated
Lens:	Unbreakable Polycarbonate
Connector:	Deutsch (Optional)

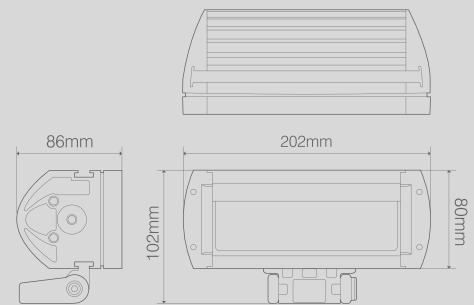
SEEKER10P

Platinum Housing



SEEKER10S

Lens cover



SEEKER20

Black Housing



LED:	4 x 15W
Dimensions (mm):	360 x 102 x 86
Voltage:	12/24V Multivolt
Beam Type:	Driving
Ingress Protection:	IP68
Raw Lumens:	4000lm
Current Draw (13.8 / 28V):	2.95A / 1.4A
Housing:	Heavy-Duty Aluminium
Housing Colour:	Black Powder-Coated
Lens:	Unbreakable Polycarbonate
Connector:	Deutsch (Optional)

SEEKER20P

Platinum Housing



SEEKER20S

Lens Cover

